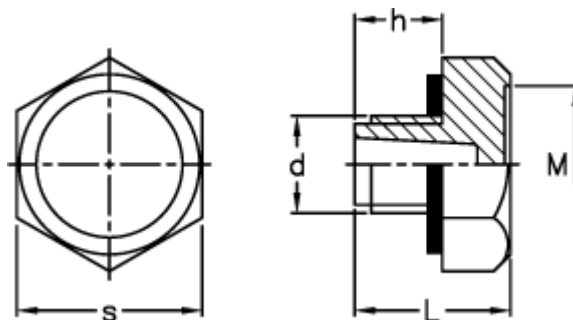


Article number: 2311058290

Description: E+G Plug
TN.22x1.5

Measures



d = M22x1,5

h = 12

L = 20

M = 25.0

s = 32

Tightening torque N m = 10 to 12